

VCC02 Specification



Overview

Decenta VCC02 is widely used in various scenarios such as education, conference IWB and digital signage.

- High performance and low power consumption.
- 21.5-inch IPS Panel.
- Rich interfaces with 1x USB Type-C(support DP in & USB2.0), 1x HDMI® In, 2x USB 3.0.
- Support POE.
- Easy to realize handwriting text, drawing, adding notes and other functions, smooth use, stable and reliable.
- Desktop mobile all-in-one, providing convenient teaching and meeting mode.

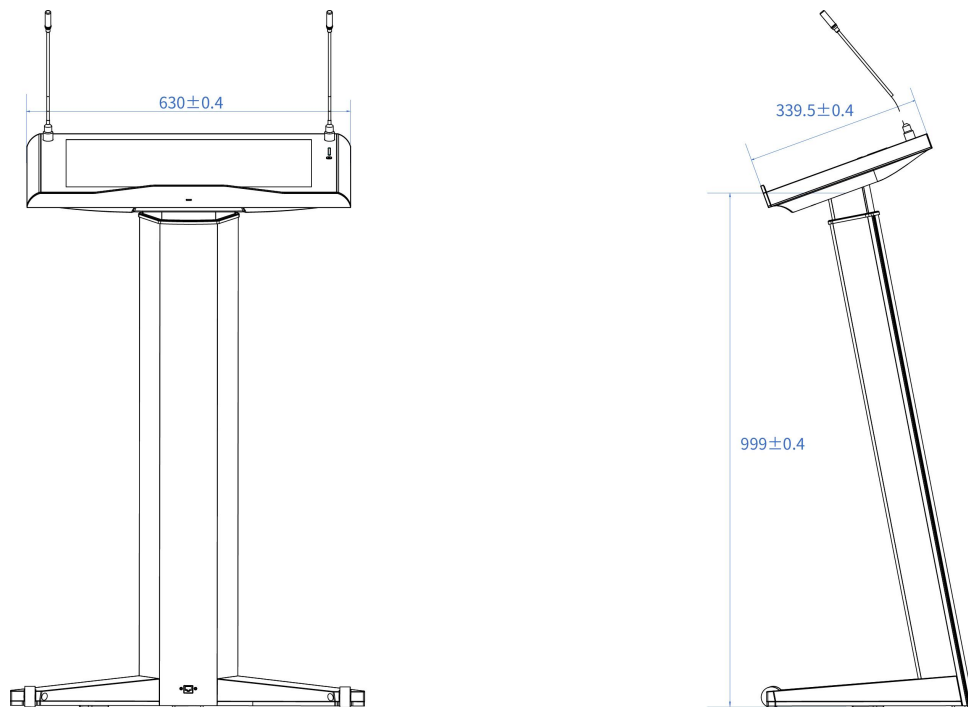
I/O Overview



Specifications

Model		B21-VCH-VCC02
Interface	USB 2.0	2
	USB Type-C In	1*, Support DP in & USB2.0
	HDMI In	1*
	VCH	1, RJ45
	LED	1(Power_LED)
Power	Supply	POE, 52V/30W
		Battery**
Physical	Screen	21.5" Touch Panel
	Struc Dimension	100~120cm(H), 19cm(W)
	Color	Metal Gray
	Material	Aluminum & Plastic
Feature	HUB Support	Y
	Deformation	Liftable
	Waterproof of screen	Y
Remark		* USB Type-C DP IN & HDMI® IN can not be used for display at the same time. ** Battery is only used for lifting. When the battery is less than 30%, it is not recommended to use the lifting function.

Dimensions (Unit: mm)



*Specifications and information contained in this document are furnished for informational use only, and are subject to change at any time without notice, and should not be construed as a commitment by Decenta.