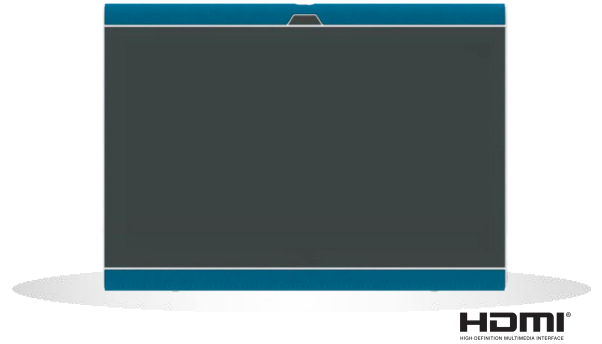


# AIO02 Specification

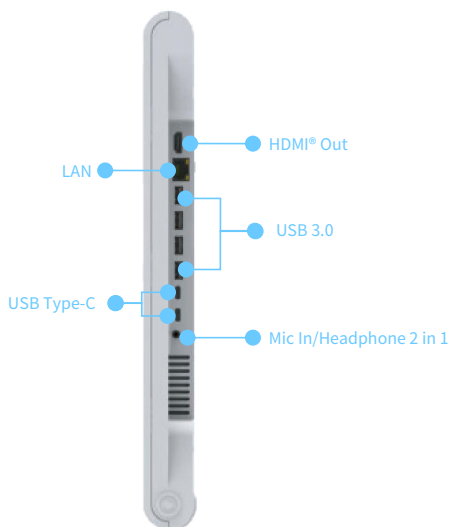


## Overview

Decenta AIO02 is widely used in various scenarios such as education, conference IWB and digital signage.

- 11th Gen Intel®Core™ i7/i5/i3 Processor
- 2x DDR5 4800MHz SO-DIMM, Dual channel, Max. 64GB
- Support M.2 SSD, Support PCIe X4(From CPU) Mode or PCIex2 & SATAx1(From PCH) Mode
- Support Intel® Thunderbolt™ 4
- Rich interfaces with 1x HDMI® out, 2x USB Type-C in, 4x USB 3.0
- Support TPM encryption technology
- Support Intel® vPro®\* technology
- Easy to realize handwriting text, drawing, adding notes and other functions, smooth use, stable and reliable

## I/O Overview

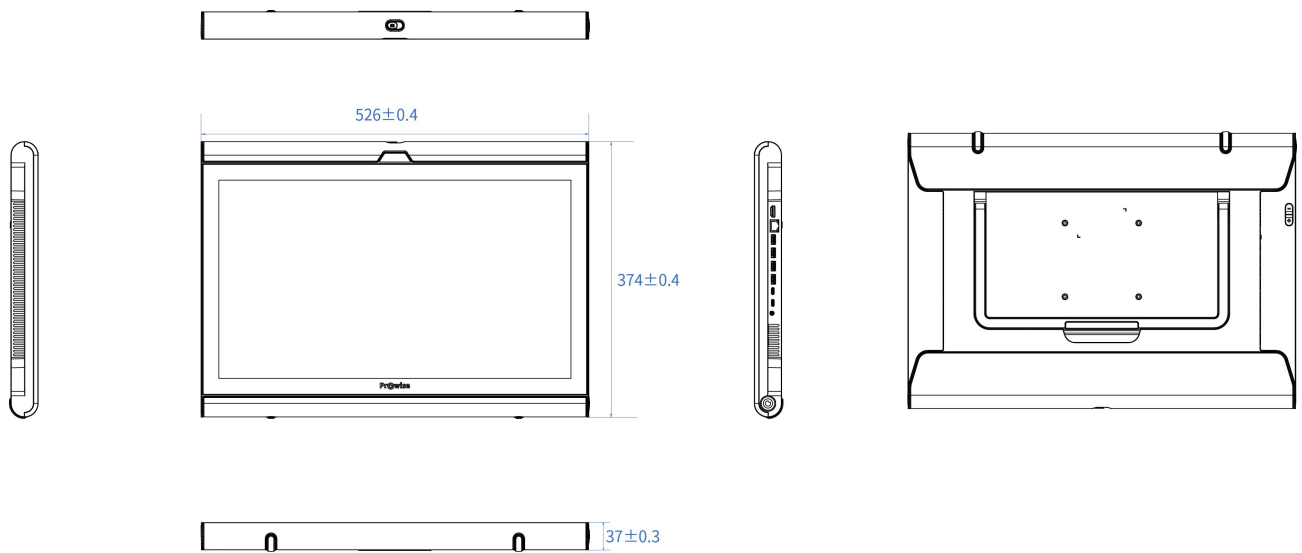


\*Depend on CPU and Network module.

# Specifications

Model		M22-ADLP-AIO02	
CPU		11th Gen Intel®Core™ i7/i5/i3 Processor	
Memory	Type	2x DDR5 SO-DIMM, Up to 4800MHz, Dual channel	
	Capacity	Max. 64G	
Graphic	Controller	Intel® Iris® Xe Graphics eligible	
	Connector	HDMI®/LVDS	
LCD		21.5" screen	
Network	Ethernet	Controller	Intel I219V, Colay with I219LM
		Connector	1Gbe RJ45
	Wi-Fi	1x M.2 E-Key 2230 Slot for WiFi & BT	
Audio	Controller	Realtek ALC897	
Storage	SSD	1x M.2 M-Key 2280 Slot, Support PCIe X4(From CPU) Mode or PCIe2 & SATAx1(From PCH) Mode, BOM optional	
I/O	Right Side	LAN	1
		USB 3.0	4
		USB Type-C	2, Support ThunderBlot™ 4
		HDMI® Out	1
		Audio Jack	Mic In/Headphone 2 in 1
		LED	1, Power LED
		Power Button	1
		Volume button	1
	Front	LED	1, Charge LED
		MIPI Camera	1
		DMIC	2 or 4
		Speaker	2x 5W Stereo Speaker
		Light Sensor	1
	Internal	Fan	1x CPU Fan header
		Touch	1
		Battery	1x 6300mAh Battery
Antenna		2	
Environment	Temperature	Operating	0°C-55°C
		Storage	-20°C-80°C
	Humidity	Operating	10%~90% non-condensing
		Storage	5%~95% non-condensing
Feature	TPM	V2.0, Reserved	
	G-Sensor	Y	
	Intel® vPro	Y	
Noise Value		34db@1m	
Power		USB Type-C power supply, 20V	
OS		Win 11	
Bios		Insyde BIOS	
Dimensions		526mm x 374mm x 37mm	

## Dimensions (Unit: mm)



## Optional Accessories

Module	Model Name	Wi-Fi Ver.	Bluetooth Ver.	Host Interface
WIFI Module	AX 201	Wi-Fi 6	BT 5.2	CNVio2

\*Specifications and information contained in this document are furnished for informational use only, and are subject to change at any time without notice, and should not be construed as a commitment by Decenta.