

AIO05 Specification



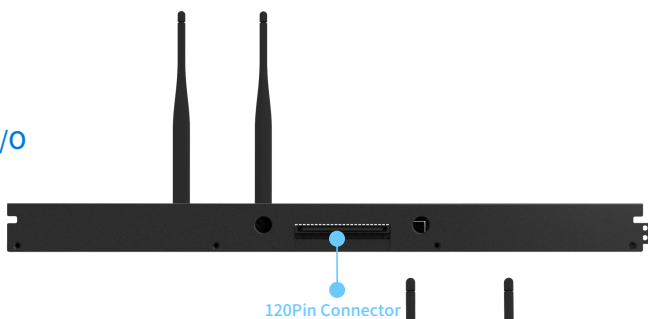
Overview

Decenta AIO05 redefined All-in-One product. It built with Intel Alder-Lake P platform and combine with scaler MT9800. Single Windows OS and OSD makes customer operation easier and more convenient. It is good solution in education, video conferencing scenarios.

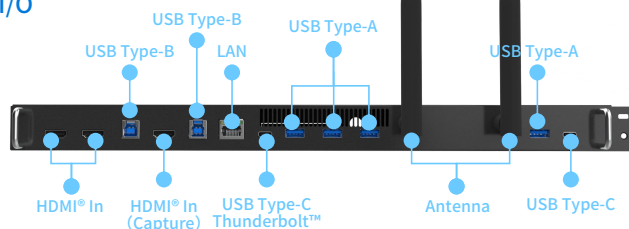
- Support Intel® 13th/12th generation Core™ processor.
- 2x DDR5 4800MHz SO-DIMM, Dual channel, Max.64G.
- Support WiFi 6E and Bluetooth 5.2 with PCIe & USB 2.0 & CNVi Mode
- Support M.2 SSD, with SATA/PCIe mode.
- Built with USB Type-C port with 45W Power Delivery
- Support Intel® Thunderbolt™
- Powerful Capture Ability with HDMI® in & Type-C in
- Strong Display Function with PBP & PIP Mode
- Excellent Usability with rich camera interface & different kinds of sensor module
- Easy to operate with touch & CEC

I/O Overview

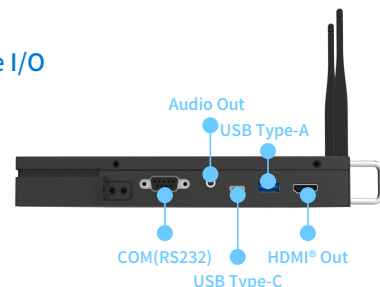
Back I/O



Front I/O



Side I/O



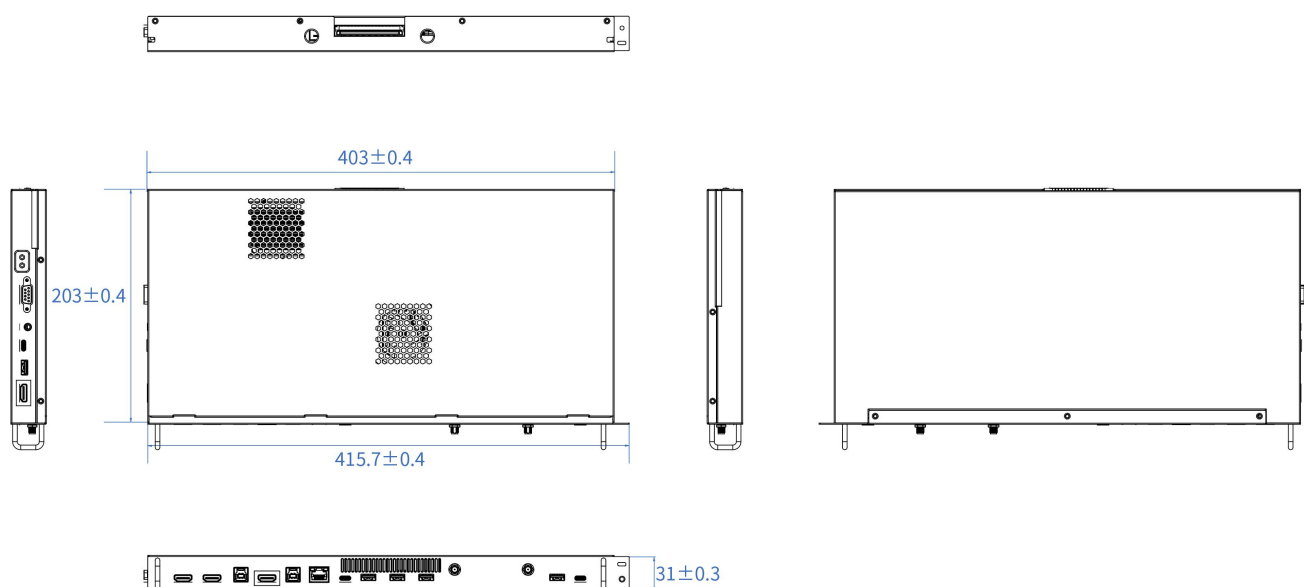
Specifications

Model		S23-ADLP-AIO05		
Processor		Support 13 th / 12 th Gen Intel® Core™ i3/i5/i7 Processor - Intel7 process technology - Up to 16 processor cores and 24 threads		
Scaler	Controller	MT9800		
Memory	Type	2x DDR5 4800MHz SO-DIMM, Dual channel		
	Capacity	Max.64GB		
Graphic	Controller	Intel® Iris XeGraphics architecture		
	Connector	HDMI®/USB Type-C		
Network	Ethernet	Controller	Intel® I219LM, Co-lay with Realtek 8111H	
		Connector	1GbE RJ45	
	Wi-Fi	1x M.2 E-Key 2230 Slot, Support Wi-Fi 6E & BT5.2, Support PCIe & USB 2.0 & CNVi Mode		
Storage	M.2	1x M.2 M-Key 2280 Slot, Support PCIe & SATA Mode		
I/O	Side	USB Type-C	1 is used for camera with 45W Power Delivery	
		USB Type-C Out	1, Support Thunderbolt with 7.5W Power Delivery	
		USB 3.0	1 is used for camera	
		USB 3.0	3, from X86	
		LAN	1, from X86	
		USB Type-B	2 1 is used for Touch of X86 1 is used for Touch of scaler	
		HDMI® IN	3 1 is with resolution of 4K@60Hz, Reserved CEC Function 2 are with resolution of 4K@60Hz, Support HDCP 2.2 & CEC	
	Button	COM	1(RS232C) from scaler, TX/RX Only	
		Line Out	1x 3.5mm from scaler	
		USB Type-C	1 is used for camera, with 7.5W Power Delivery	
		USB 3.0	1 is used for camera	
		HDMI® Out	1 is with resolution of 4K@60Hz from X86	
	Front	USB Type C in	1 is with resolution of 4K@60Hz with 60W Power Delivery fromX86/Scaler	
		Button	8(Power,Menu, Mute, +/Right, -/Left, Up, Down, Enter/Video source)	
		LED	2 1, Power_LED(Power on is blue, Idle is in breath mode) 1, Mute_LED(Mute is red)	
		NFC	1(Support I2C & USB mode)	
		Sensor	3(Human Sensor, Light Sensor, Temperature/humidity/CO2 Sensor Module)	
		IR	1	
	Internal	120Pin	1	
		RTC Battery	1	
	120Pin Board	Internal Signal	12V/18V Power in	2x14Pin Header
			Tcon 12V Power	1x 5Pin Header
			Touch Con	1x 16Pin Header
Human Sensor			1x 5Pin Header	
Temperature/ Humidity Sensor			1x 7Pin Header	
NFC			1x 10Pin Header	
FFC Con			1x 51Pin Header(For HDMI®/USB/I2C/ADC/IR/UART/GPIO)	
Mic			1x 8Pin Header	
Audio Mining			1x 6Pin Header	

Specifications

Model		AIO05	
120Pin Board	Internal Signal	Speaker L/R	1x 6Pin Header
		Speaker Bass	1x 3Pin
		VBO	1x51Pin Header
		Scaler Debug CON	1x 4Pin Header
Front Board	FFC Con (51Pin)	USB Type-C in	1(Display & Storage function switch)
		IR	1
		Light Sensor	1
		Button	1x 8Pin Header
		Power For Type-C	1x 6Pin Header
Environment	Temperature	Operating	0°C-45°C
		Storage	-20°C-60°C
	Humidity	Operating	10%~90% non-condensing
		Storage	5%~95% non-condensing
Noise Value		38db@1m	
Feature	TPM		V2.0 Support
	Secure Boot support		Y
	Wake on LAN Support		Y, Idle is below 2W
	USB Bus Power		Y
	BIOS update from Windows		Y
	CEC Support		Y
Cooling System		1x CPU Fan & Heat-sink	
Power		DC 12V&18V	
OS		Win11 IOT Enterprise AC	
Bios		Insyde BIOS	
Dimensions		415.7mm × 203mm × 31mm	
Material		Metal	

Dimensions (Unit: mm)



*Specifications and information contained in this document are furnished for informational use only, and are subject to change at any time without notice, and should not be construed as a commitment by Decenta.